



Alpha 4A

GPS Antenna



Key Features

- Adhesive or magnetic mountable
- 26db LNA gain
- Waterproof
- Compact size

General Description

The Alpha 4A is a compact, self adhesive, waterproof, GPS antenna.

It comes with a strong self-adhesive base that provides a firm fix to most flat surfaces. The antenna is well suited to the harsher outdoor environment that GPS applications are often subject to.

The built in Low Noise Amplifier (LNA) provides a 26dB gain for superior GPS performance; necessary for strong signal reception from visible satellites as well as influencing a shorter time for satellite fixing.

Additional Considerations

- Waterproof design which makes it ideal for mounting outdoors
- Operates with GPS receivers with built in LNA circuit on board





Alpha 4A

GPS Antenna

Dielectric Antenna

| | |
|-------------------|--------------|
| Centre Frequency: | 1575.42+1MHz |
| Polarization: | RHCP |
| Impedance: | 50 Ohm |
| VSWR: | <1.5 |
| Axial Ratio: | 3dB Max |

Mechanical Specifications

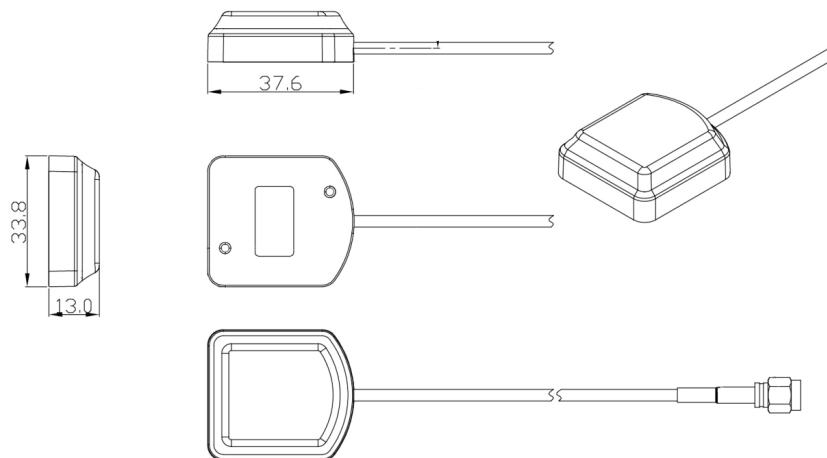
| | |
|------------------|------------------|
| Dimensions: | L20 x W20 x H4mm |
| Cable: | RG174 |
| Connector: | SMA Male |
| Material: | ABS |
| Mounting method: | Magnetic |

GPS Antenna

| | |
|------------------------|-------------|
| LNA Gain: | 26dB |
| Noise Figure: | <1.3 |
| VSWR: | <2.0 |
| Filter Insertion Loss: | <3dB |
| Supply Voltage: | 2.5 - 5V DC |
| Current Consumption: | 10 - 26mA |

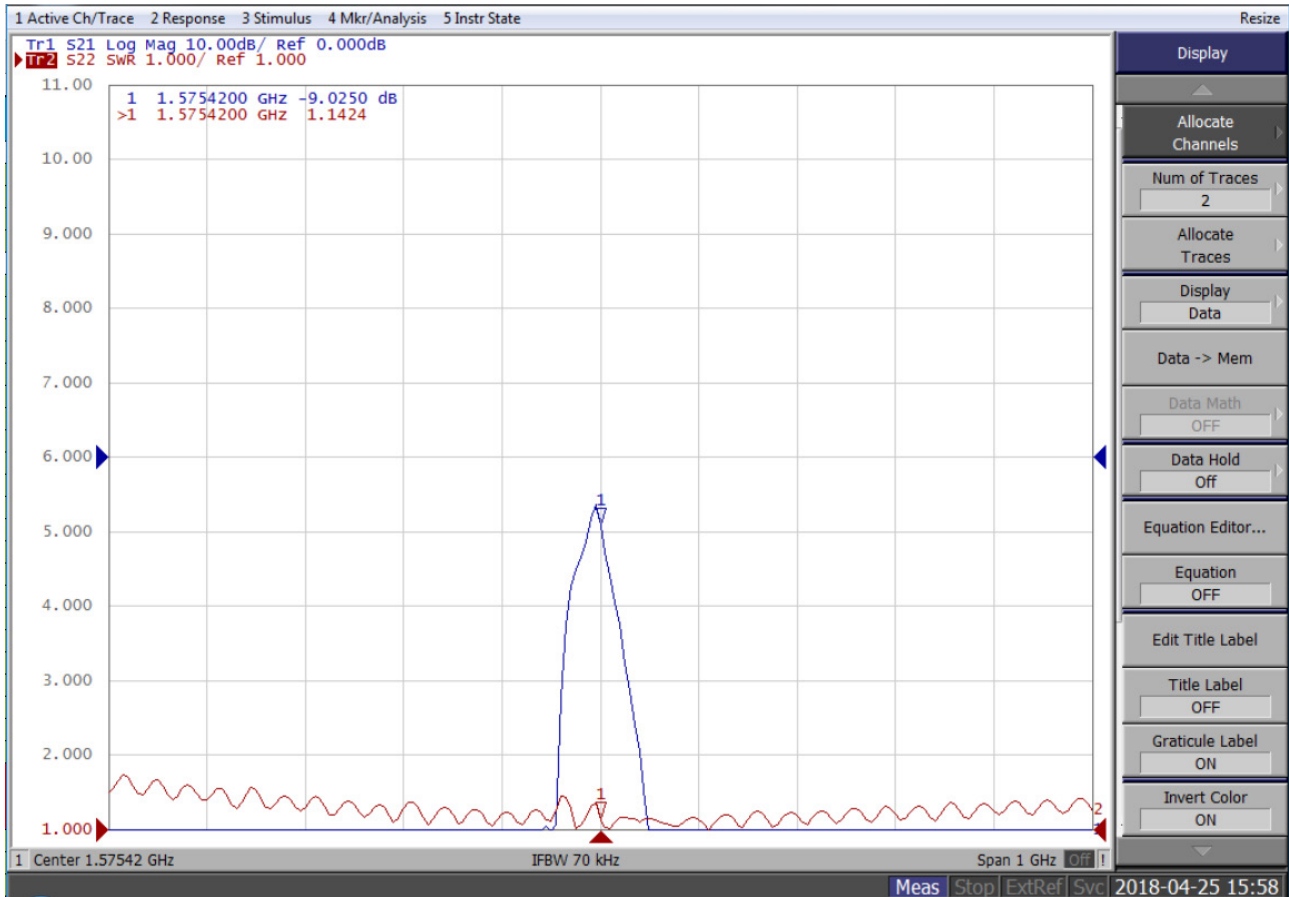
Environmental Specifications

| | |
|------------------------|--------------|
| Operating Temperature: | -40 to +85°C |
| Relative Humidity: | Up to 95% |



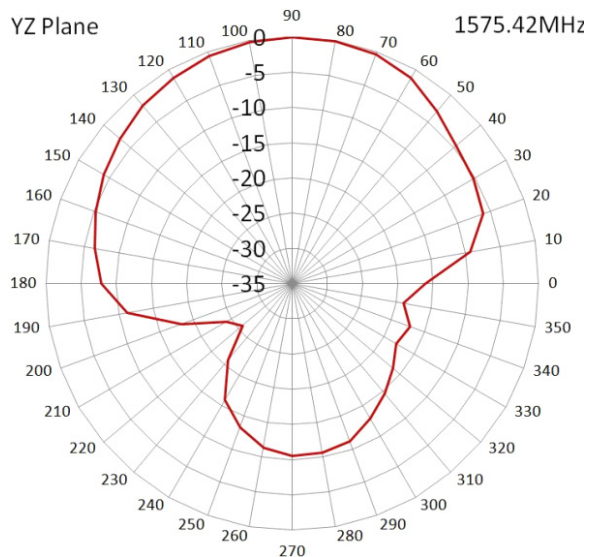
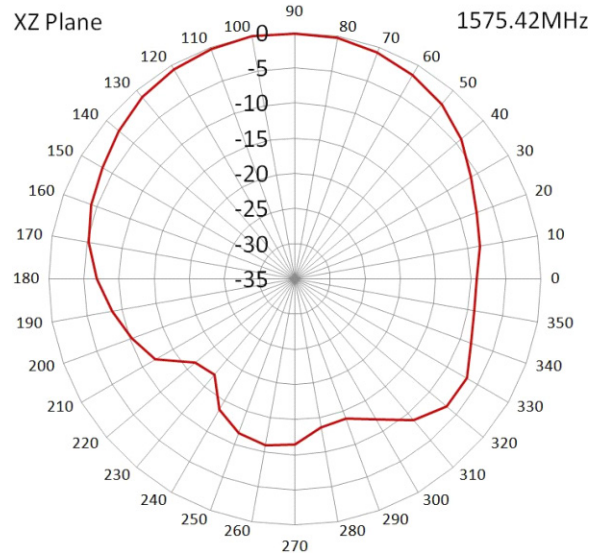
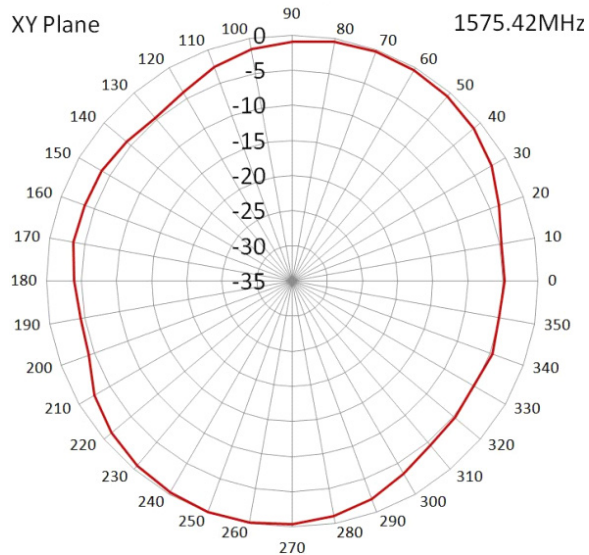


Return Loss / VSWR





Radiation Patterns



Ordering Details

| Part number | Description |
|------------------------|---|
| ALPHA4A/1M/SMAM/S/S/26 | GPS Antenna 1m Cable SMA Male Connector |
| ALPHA4A/5M/SMAM/S/S/26 | GPS Antenna 5m Cable SMA Male Connector |